



*Manufacturer of Specialty Chemicals*

## HANDSAN SANITIZER STAND & DISPENSER

**\*PLACE YOUR PREORDER NOW\***

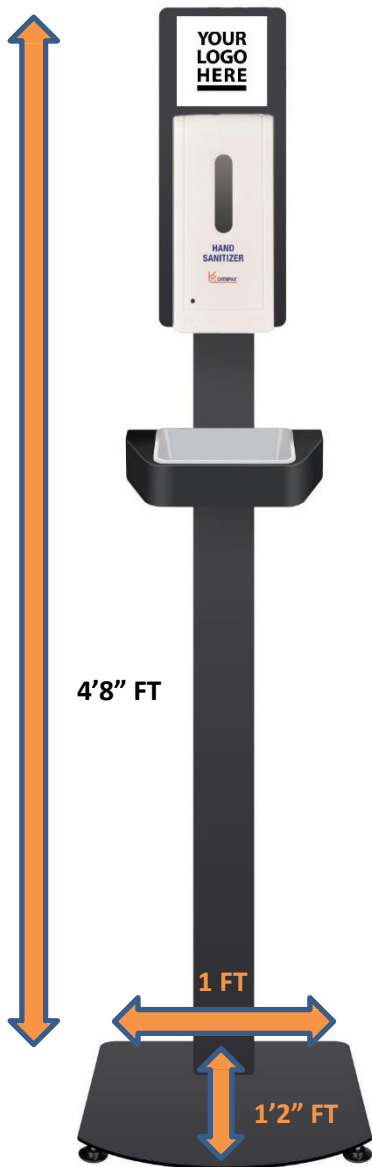
### HEAVY DUTY INDUSTRIAL/COMMERCIAL GRADE

#### STAND

- Solid Steel Powder Coated
- Sturdy Base
- Adjustable Base for Uneven Floors
- Removable Drip Tray
- 20 Lbs.

#### DISPENSER

- Touchless
- Bulk Refillable Reservoir
- Robust Internal Mechanism
- 1000ml Capacity
- Battery Operated
- Infrared Auto Sensing
- Keyed Access
- CE Certified



**CUSTOMIZED WITH YOUR LOGO AT NO  
EXTRA COST**

Visit us at our website [www.chemfax.com](http://www.chemfax.com)

Toll Free: 1-855-887-2055



**SINCE 1972**

\*Dispenser appearance may change slightly depending on availability